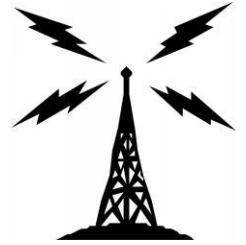




SLATS

St. Louis Amateur Television Society



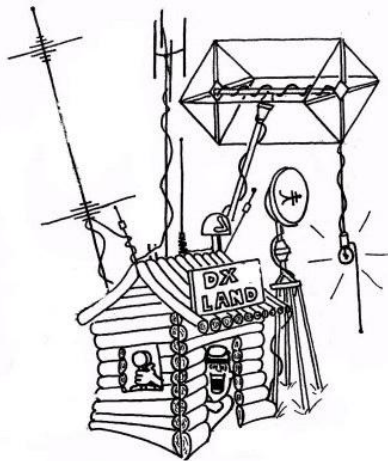
June 2022 | ISSUE NO.6

SLATS Wednesday Nite Net

Time: Every Wednesday at 19:00 hours
Frequency: 146.730 WØKE Repeater

IN THIS ISSUE

SLATS RADIO CLUB ATN INFO.....	01
HAMVENTION MAY 20, 2022 ATV FORUM.....	01
SUN SPOT REPORT LINKS.....	01
HAM RADIO QUICK LINKS.....	02
ITEMS FOR SALE OR GIVEAWAY.....	02
VINCE'S CORNER.....	03, 04



NEED SOME RADIO STUFF



<https://theantennafarm.com/>

The Antenna Farm is a distributor of two way radios, antennas, cables, connectors and related accessories. Many police and fire departments, EMS companies, public service organizations as well as the average consumer rely on us for a wide variety of high quality two-way radio products from industry leading brands.

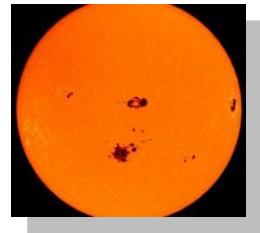
Sun Spot Report

For daily sunspot watch link to:
Sunspot Watch

<https://sunspotwatch.com/>

SpaceWeather.com

<https://spaceweather.com/>



HAMVETION 2022



<https://www.youtube.com/watch?v=EbAHJ7-ckZk>

(Our club president made an appearance)

Ham Radio Quick Links:

Southgate amateur news

<http://www.southgatearc.org>

Amateur Television Network

<https://www.atn-tv.com/>

ATN Repeater video streaming

<https://www.atn-tv.com/events/streaming>

ATN on YouTube

<https://www.youtube.com/AmateurTelevisionNetwork>

ATN on Whereby.com

<https://whereby.com/atn1>

TAPR - Tomorrow's Ham Radio

<https://tapr.org>

DIGITAL ATV

Digital Amateur Television D-ATV

https://www.dxzone.com/catalog/Operating_Modes/Digital_ATV/

YouTube Videos

Dave Casler KEØOG - YouTube Videos

<https://www.youtube.com/channel/UCaBtYooQdmNzq63eID8RaLQ>

Solar Index & Propagation Made Easy

<https://www.youtube.com/watch?v=SyXLARX1dns>

ITEMS FOR SALE or GIVE AWAY:

Find items for sale is on our website here:

Click: https://slatsatn.net/?page_id=713

Example:

COMPLETE PACKET RADIO STATION

Sell an item

Name

Mel Whitten

Call Sign

KØPFX

Email

slats@melwhitten.com

Brief Description of item

Complete Packet Radio Station with Icom 2100 and Kantronics TNC

Details, price, condition, etc.

TNC, Icom 2100 2mtr radio, and Power Pole 4005. Includes all professionally assembled cables with ID tags. Plug-n-Play, just configure TNC and Radio for your Packet application. All in excellent condition. Manuals are available online.

All assembled on a nice board for easy transport. No modifications to the equipment. Excellent for APRS/ARES/Winlink applications.

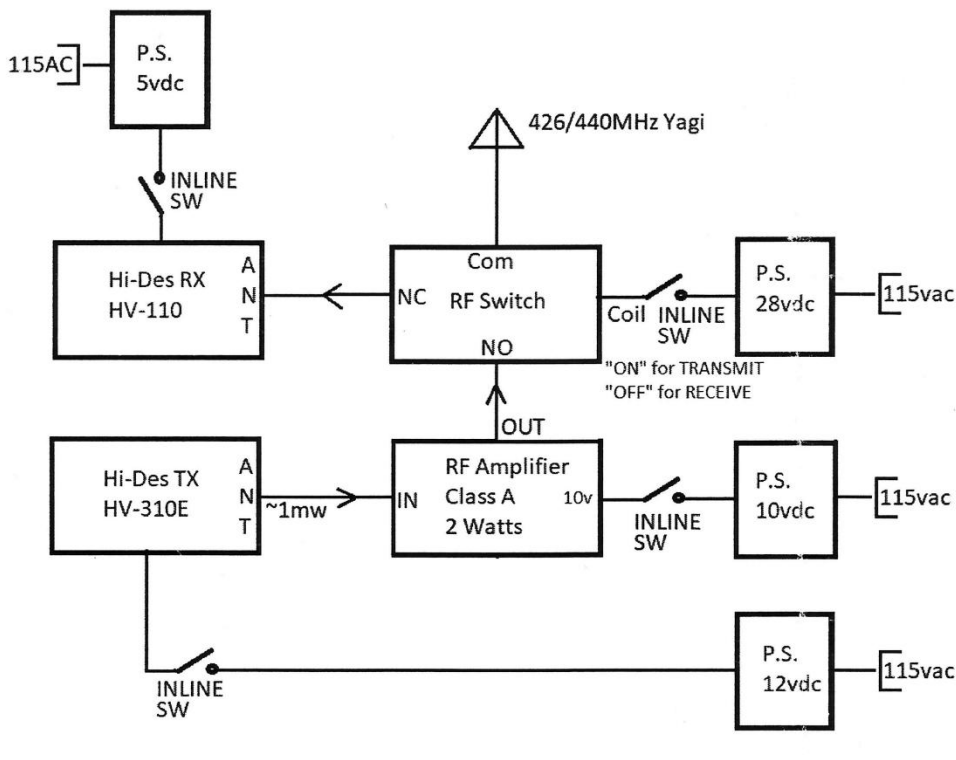
Will not break up and sell individual pieces.

\$200.00 - Prefer pick up at my QTH.



Vince's Corner - KE0VYE

This month's article is going to be about my ATV station. First a little about myself. I am KE0VYE and passed both the general and technician tests in 2017 after a 10 year lapse. Previously I was technician with call sign N0VXL. My station is located in grid square EM48sq is about 2.5 miles from the W0ATN ATV repeater. My home ATV station consists of several discrete components. The receiver is a Hides HV 110 receiver. My transmitters are the Hides HV 310 transmitter. These are connected via 100 feet of LMR 400 to a Diamond 10 element 440 MHz Yagi at about 600 ft asl. The below diagram courtesy of Mel Whitten K0PFX, illustrates the initial equipment configuration with the coax connections and wiring. Inline switches are used in the power cables to make it convenient to turn the components off and on and to switch between transmit and receive



Notes:

- 1 - RF Switch is a TASCOS SPDT Failsafe
- 2 - 2W Amp from eBay for digital mode
- 3 - All P.S. are AC Adapters/wall warts
- 4 - 12vdc adapter is an analog P.S.
- 5 - **To transmit**, always switch amplifier on first, then the transmitter
- 6 - **To receive**, always turn off the TX first and then turn off the amplifier
- 7 - Install Pre-Amp (LNA) in line with the RX and RF Switch using coax cables

Components not shown in diagram include an antenna rotator, HDMI switch, LNA SWR/Power meter, power strip, DC105 camera the video sources. The HDMI out of the receiver is connected to an Orei multiport HDMI switch with an output choice of a 10 inch or 50 inch monitor or both. Video sources include an Asus Windows 10 laptop and a Canon Vixia HF R80 HD. The SWR/Power meter is a Daiwa CN501v Cross Needle meter. In addition a Low Noise Amplifier was connected between the rf switch and the receiver. The LNA is a Down East Microwave DEM L432LNA. The product description calls this a 420 to 450 MHz Low Noise amplifier and is spec'd at 17 dB nominal and requires 22 vdc. My version uses BNC connections. Using this increased the signal about 2 to 3 dB. When powered off it is an open connection and will not pass rf. Below is a picture of the station with the receiver on the right front, the transmitter on the left front and the power/swr meter is in the middle



I am scheduled to be the net operator for SLATSNET on Wednesdays at 7 pm during the month of June 2022, so be sure to tune in then.